


LP-2108 Eight (8) Port Power over Ethernet (PoE) Midspan Injector

- Output up to 15.4 Watts PoE Power continuously Per Port
- Power up to 8 IP Devices
- Cost Effective
- Compliant to  **IEEE 802.3af** PoE Standards



Functions and Features

The LAN Power Model **LP-2108** Eight (8) Port PoE Midspan Desktop Injector supports powering up to Eight (8) IP 'PoE Enabled' End Devices. The Eight (8) Port PoE Midspan Injector adds up to 15.4 watts continuously per port at ~48 VDC wires in a standard Category 5, 5e, or 6 Ethernet cable. The LP-2108 delivers both data and power over a single standard Ethernet cable to a PoE enabled End device designed to receive both Data and Power through its RJ45 connector. The second RJ45 passes data only through to Ethernet Switch. The maximum cable distance from Ethernet Switch to end IP Device is 328 feet/100 meters.

Key Features of the Eight (8) Port PoE Injector include:

- Output Wattage is up to **15.4 Watts** continuously out each of its eight (8) ports-power up to 8 IP Devices
- Cost Effective
- Compliant to **IEEE 802.3af** Power over Ethernet Standards
- Supports Data links at 10Mbps or 100Mbps or 1000Mbps (Gigabit Compatible)
- Extended Temperature operating range
- LED indicators shows powering status
- Surge Protection with over voltage current and short circuit protected (protects the Ethernet Switch)

- Data and Power carried on same Ethernet cable
- Desktop design with optional 19" 1RU Rack Mount Kit available (sold separately)
- Use with any PoE Compliant device including:
 - IP Security Cameras
 - Wireless LAN Access Points
 - VoIP Phones
 - Emerging Products
- Full 2 Year Product

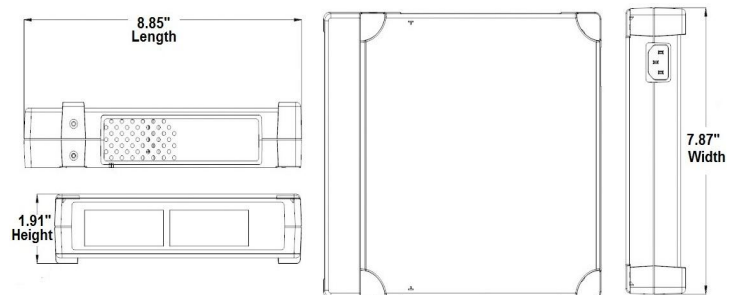
Safety Approvals

- FCC
- CE
- UL/cUL



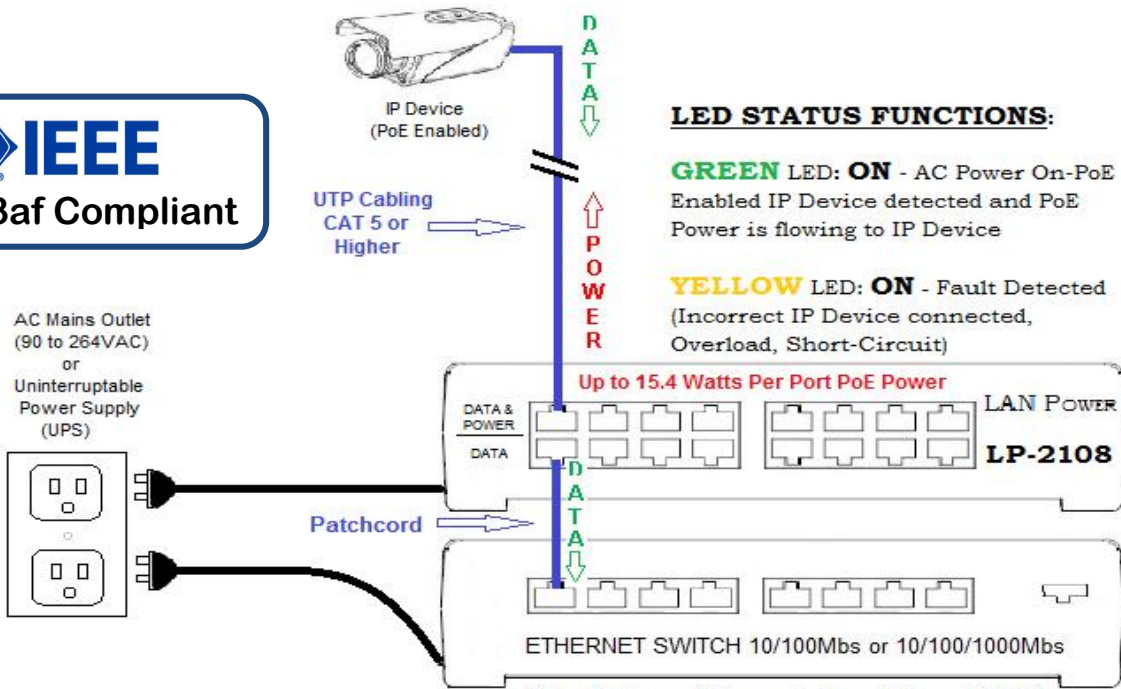
Unit Dimensions

Length: 8.85" (225 mm)
Width: 7.87" (200mm)
Height: 1.91" (48.5mm)
Weight: 3.0 Lbs (1.4 Kg)



LAN-POWER

INSTALLATION DIAGRAM



LED STATUS FUNCTIONS:

GREEN LED: ON - AC Power On-PoE
Enabled IP Device detected and PoE
Power is flowing to IP Device

YELLOW LED: ON - Fault Detected
(Incorrect IP Device connected,
Overload, Short-Circuit)

Note: Maximum Distance between Ethernet Switch
and IP Device is 100 Metres / 328 Feet

Ordering Info

Model **LP-2108** Eight (8) Port PoE Midspan
Injector

Environmental Specifications

Operating Temperature: 32° to 104° F/ 0° to
40° C

Storage Temperature: -13° to 149° F/ -25° to
65° C

Relative Humidity: 5% to 90% non-
condensing

Ethernet Data Throughput Speeds

10 Mbs Ethernet or 100 Mbs Fast Ethernet
or 1000Mbs supported (Gigabit Compatible)

Connector Type

Non-Shielded RJ-45 meets EIA 568A and
568B

Safety Approvals



Optional **LP-2108RMK** 19" Rack Mount
Kit available(Supports 1 or 2 x LP-2108 units)

Electrical Specifications and Properties

AC Power Input Connector - IEC320 inlet 3 pin

Power Supply:

Voltage Range: 90 - 264VAC

Voltage Rating: 100 - 240VAC

Frequency Range: 47 - 63Hz

Frequency Rating: 50 - 60Hz

Input Current: 2.5A (RMS) maximum for 90VAC
1.3A (RMS) maximum for 230VAC

Leakage Current: <3.5mA at 254VAC 60Hz

DC Power Output

PoE Protocol: IEEE 802.3af

Power on Data Pins: 4 & 5 (+), 7 & 8 (-)

Output Voltage: 48VDC (+10%-0)

Maximum Power per Port: 15.4 Watts – Compliant
to IEEE 802.3af PoE Standard

Total Power: 125 Watts

Ripple and Regulation: 100mV maximum

Efficiency: >75%

Hold-up Time: 10mS Min. @ 120VAC Input and
maximum load

Turn-On Delay Time: 3 seconds maximum at
maximum load, and 120VAC 60Hz, 25Hz

Transient O/P Voltage Protection: 60V maximum
at switch on and off at any AC line phase

Over Voltage/Current-Short Circuit Protection:
Outputs equipped with short circuit and overload
protection as per IEEE 802.3af specification-the
output can be shorted permanently without
damage