

## LP-2535 Power over Ethernet (PoE) Single Port 'High Power/PoE Plus' Midspan Injector

- Output up to 35 Watts PoE Power continuously
- Compliant to and exceeds both **IEEE 802.3af** and **IEEE 802.3at** 'High Power/PoE Plus' Standards



**IEEE**  
802.3af Compliant  
and  
802.3at Compliant  
with Class Detection

### Functions and Features

The LAN Power Model **LP-2535** Single Port High Power/PoE Plus Midspan Injector supports powering IP End Devices. The Single Port High Power/PoE Plus Midspan Injector adds up to 35 watts continuously at ~48 VDC to unused (non-data) wires in a standard Category 5, 5e, or 6 Ethernet cable. The LP-2535 delivers both data and power over a single standard Ethernet cable to a PoE enabled End device designed to receive both Data and Power through its RJ45 connector. The second RJ45 passes data only through to Ethernet Switch. The maximum cable distance from Ethernet Switch to end IP Device is 328 feet/100 meters.

Key Features of the Single Port High Power/PoE Plus Midspan Injector include:

- Output Wattage is up to **35 Watts** continuously
- Compliant to and exceeds **IEEE 802.3af** and **IEEE 802.3at 'High Power/PoE Plus'** Power over Ethernet Standards
- **IEEE 802.3at** and Class Detection
- Supports Data links at 10Mbps, 100Mbps or 1000Mbps (Gigabit Compatible)
- Data and Power carried on same Ethernet cable
- Extended Temperature operating range
- LED indicators show powering status

- Surge Protection with over voltage current and short circuit protected (protects the Ethernet Switch)
- Wall mounting bracket and IEC320 inlet 2-pin C8 Power Cord included
- Use with any PoE Compliant Device including:
  - Security and Access Controls
  - IP Security Cameras
  - VoIP Phones
  - Wireless LAN Access Points
  - Emerging PoE enabled Products both IEEE 802.3af and IEEE 802.3at 'High Power/PoE Plus' compliant
- Full 2 Year Product Warranty

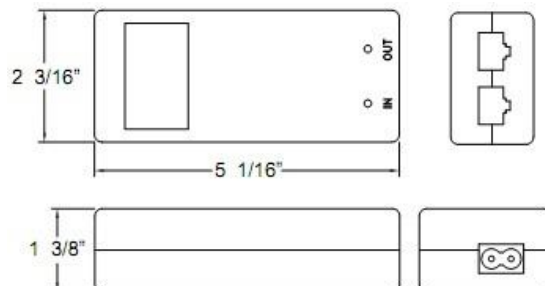
### Safety Approvals

- FCC
- CE
- UL/cUL



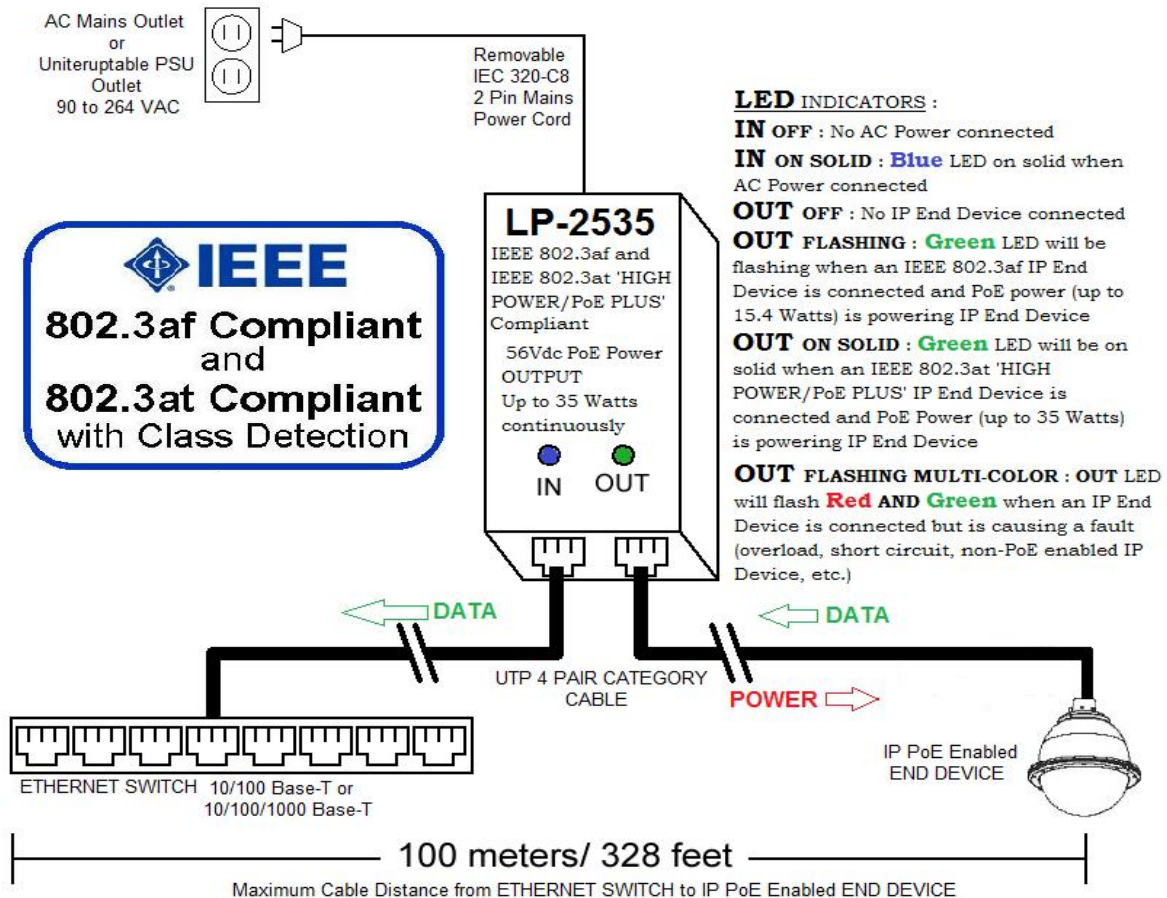
### Unit Dimensions

- Length: 5 1/16" (128mm)
- Width: 2 3/16" (51mm)
- Height: 1 3/8" (35mm)
- Weight: 5.1 oz. (0.18 kg)



# LAN-POWER

## APPLICATION OVERVIEW



### Ordering Info

Model **LP-2535** Single Port Injector High Power/PoE Plus Midspan Injector

### Environmental Specifications

Operating Temperature:

-4° to 104°F / -20° to 40°C at 35 Watts

-4° to 131°F / -20° to 55°C at 25 Watts

-4° to 140°F / -20° to 60°C at 20 Watts

Non-Operating Temperature: -4° to 150° F /

-20° to 65° C

Relative Humidity: 5% to 90% non-condensing

Operating Altitude:

-1,000 to 10,000 feet above Sea level

-305 to 3,048 meters above Sea level

### Ethernet Data Throughput Speeds

10 Mbs Ethernet, 100 Mbs Fast Ethernet or 1000 Mbs (Gigabit Ethernet supported)

### Connector Type

Non-Shielded RJ-45 meets EIA 568A and 568B

### Electrical Specifications and Properties

#### AC Power Input

Power Cord type: Removable with IEC 320-C8 2 pin connector on Single Port Injector end

Power Supply: Single, Internal

Voltage Range: 90 - 264VAC autosensing

Voltage Rating: 100 - 240VAC

Frequency Range: 47 - 63Hz

Frequency Rating: 50 - 60Hz

Max. In-rush Current: 60A Max. at 240VAC & Max. Load

#### DC Power Output

PoE Protocol: IEEE 802.3af and 802.3at Standards with Class Detection

Power on Data Pins: 3 & 6 (+), 1 & 2 (-)

Output Voltage: +56VDC (+1V/-2V)

Max. Power on Port: 35 Watts-Class 4 @ 40°C (exceeds PoE Standard)

Load: 10mA (Min.) 0.35A (Max.)

Regulation (Line/Load): ± 5%

Efficiency: 80% (typical) at Max. load, and 120VAC

60Hz, class 4

Hold-up Time: 10mS Max. load and 120VAC 60 Hz