

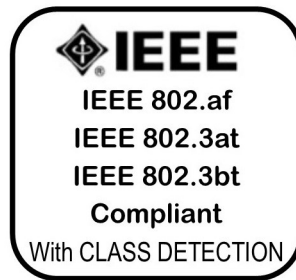
LAN-POWER

LP-2590 Single Port 'ULTRA' High Power PoE Midspan Injector

- Output up to **90 Watts** PoE Power continuously
- Compliant to and exceeds **IEEE 802.3af**, **IEEE 802.3at** and **IEEE 802.3bt** Standards *with Class Detection*
- **GIGABIT** data throughput



AC Power Cord included



Functions and Features

The LAN Power model **LP-2590** Single Port *ULTRA* High Power PoE Midspan Injector supports powering IP 'PoE Enabled' End Devices. The Single Port PoE Midspan Injector provides **up to 90 Watts continuously** at 56 VDC to all 4 pairs in a standard Category 5, 5e, 6, 6a Ethernet cable. The **LP-2590** delivers both data and power over a single standard Ethernet cable to an IP 'PoE' enabled End Device designed to receive both Power and Data through its RJ45 connection. The second RJ45 on the **LP-2590** passes incoming data from the IP End Device to a Router or Ethernet Switch (up to 1000Mbps/Gigabit). The maximum cable distance between the Router or Ethernet Switch to the IP End Device is 100 meters/328 feet and the **LP-2590** is between these two devices.

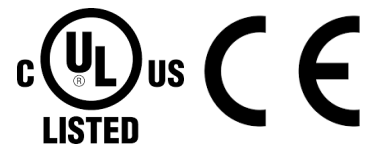
Key features of the **LP-2590** Single Port *ULTRA* High Power Midspan Injector include:

- Output power is up to **90 Watts** continuously
- Complaint to the **IEEE 802.3af**, **IEEE 802.3at** and **IEEE 802.3bt** PoE Standards
- Power and Data carried on the same single ethernet cable
- Supports Data of 10/100Mbps or 10/100/1000Mbps **GIGABIT capable**
- **Surge Protection** with **Over Voltage** and **Current Protection** (Protects the Ethernet Switch)
- **LED** indicators display power status

- The **LP-2590** is a robust wall mount design and is supplied with a 3 Pin AC Mains Power Cord
- For use with **ANY IEEE 802.3af, IEEE 802.3at and/or IEEE 802.3bt Compliant 'PoE' Enabled Device** such as:
 - IP Surveillance Cameras
 - IP/VOIP Telephones
 - Wireless LAN Access Points
 - Emerging PoE Products
- Use with LAN Power Compliant Devices including:
 - o **LP-2334/LP-2354** Four Port PoE Switch/Extender (Internal & External)
 - o **LP-4912POE** Dual Voltage Splitter
- Full **2 Year Product Warranty**

Safety Approvals

- cUL/UL 60950-2
- CE
- IEC/EN 60950-2
- LPS

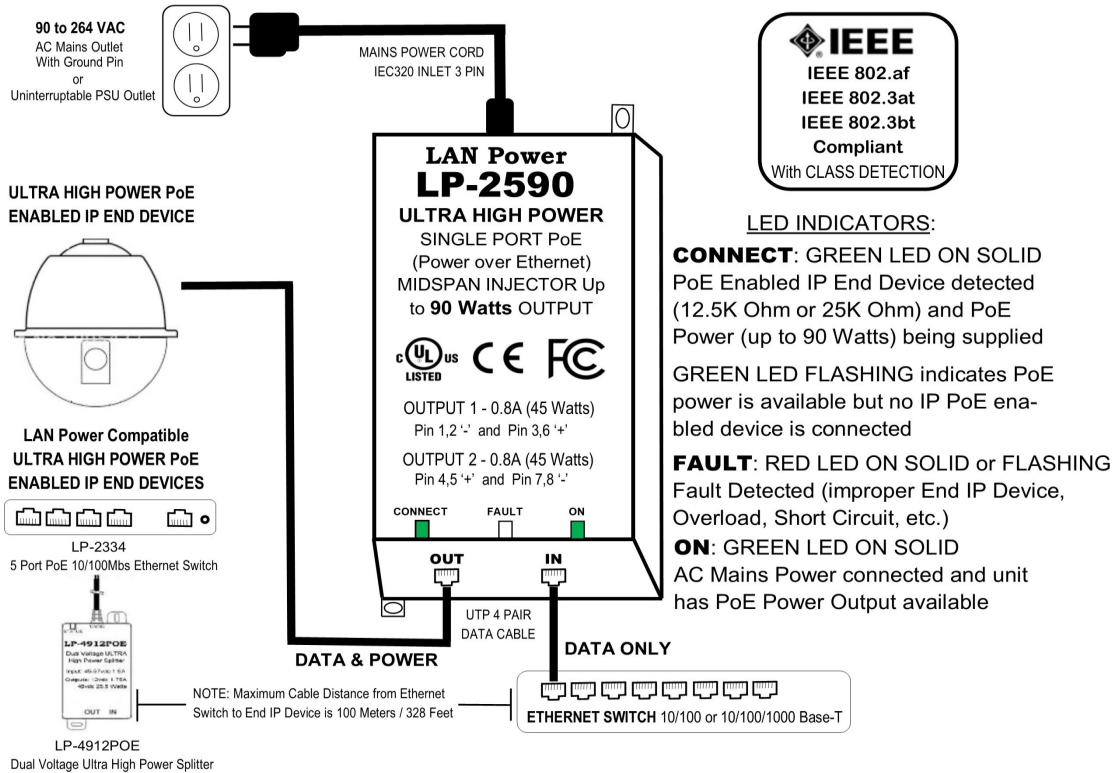


Immunity

- ESD: IEC61000-4-2 Level 3
- RS: IEC61000-4-3 Level 3
- EFT: IEC61000-4-4 Level 2
- Surge: IEC61000-4-5 Level 3
- CS: IEC61000-4-6 Level 2
- Voltage Dips: IEC61000-4-11
- Harmonic: IEC61000-3-2 Class A

LAN-POWER

Installation Overview Diagram



Ordering Information

LP-2590 Single Port 90 Watt *ULTRA* High Power PoE Midspan Injector

Environmental Specifications

Operating Temperature: -4° to 104° F / -20° to 40° C

Storage Temperature: -13° to 149° F / -25° to 65° C

Relative Humidity: 5% to 90% noncondensing

Ethernet Data Throughput Speeds

10 Mbs Ethernet or 100 Mbs or 1000Mbs (Gigabit) Fast Ethernet supported

Connector Type

Non-Shielded RJ-45 meets EIA 568A and 568B Connection Standards

EMC

Complies with FCC Part 15 Class B

Complies with EN55032 Class B

Over Voltage/Current, Short Circuit Protection

The output is equipped with short circuit protection and overload protection as per IEEE802.3af, IEEE802.3at and IEEE802.3bt specifications and conforms to UL60950-2.

Over Current Protection

Output #1(OUT) <1000mA

Output #2(OUT) <1000mA

Output #1 and #2 combined (OUT) <2000mA

Electrical Specifications and Properties

AC Power Input

Voltage Range: 90 - 264

VAC Voltage Rating: 100 - 240VAC, 47 - 63Hz

Input Current: 2.5A (rms) maximum for 90VAC 1.2A (rms) maximum for 240VAC

Leakage Current: 3.5mA maximum @254VAC 60Hz

DC Power Output

PoE Protocol:

IEEE 802.3bt (up to 90 Watts continuously)

Power on Data Pins: 3 & 6 (+), 1 & 2 (-) 45 Watts
4 & 5 (+), 7 & 8 (-) 45 Watts

Output Voltage: 56VDC

Max. Power on Port: 90.0Watts (IEEE802.3bt PoE Standard)

Ripple and Regulation: 250mV @25C, 100-240VAC

Efficiency: 75% typical at maximum load and 120VAC, 60Hz

Hold-up Time: 16mS minimum at maximum load and 120VAC, 60Hz

Unit Dimensions

- Length: 6.53' (166mm)
- Width: 3.15' (80mm)
- Height: 1.73' (44mm)
- Weight: 1.11lbs (500g)